

- 1, Ensure clip is connected to the top fixing (see Fig 1).
- 2, Connect the D-ring at the top of the flag onto the clip. (see Fig 2).
- 3, The bottom fixture is fitted with a bungee, (see Fig 3).
- 4, Pass the bungee through the D-ring and then back over the black ball (see Fig 4).
- 5, If you have been supplied with an angled flag, connect the top D-ring to the clip (see Fig 5).
- 6, Remove the bungee completely from the bottom fixture, detach the clip from the D-ring on the flag, attach it to the fixture on the pole and then back onto the D-ring on the bottom of the flag (see Fig 6).
- 7, Fit into mounted wall bracket.

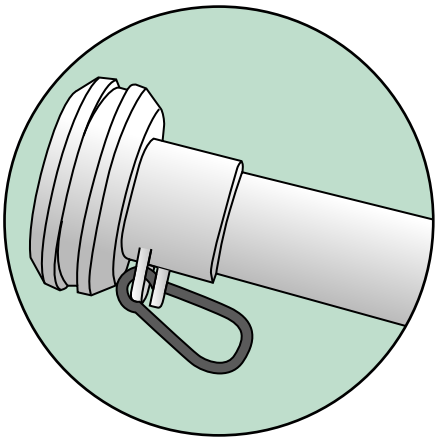


Fig 1

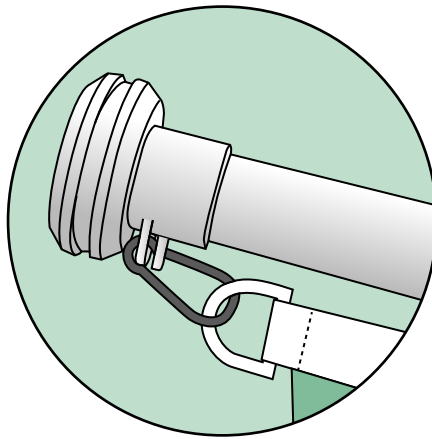


Fig 2

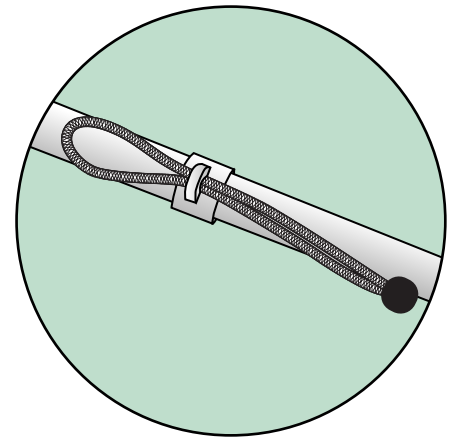


Fig 3

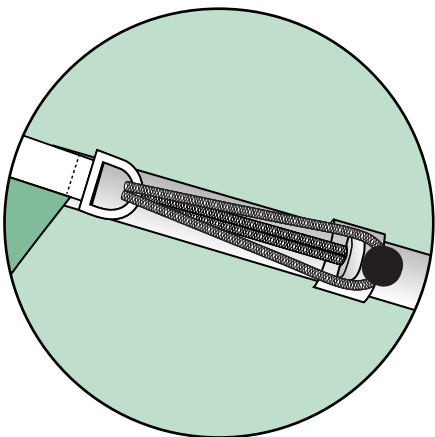


Fig 4

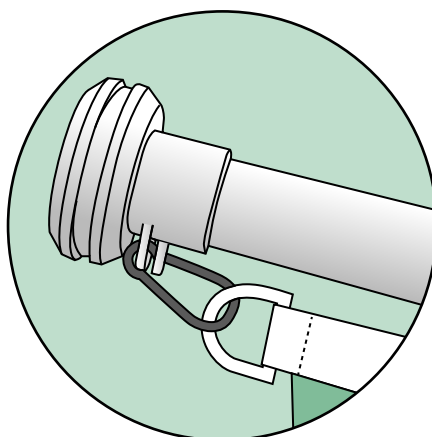


Fig 5

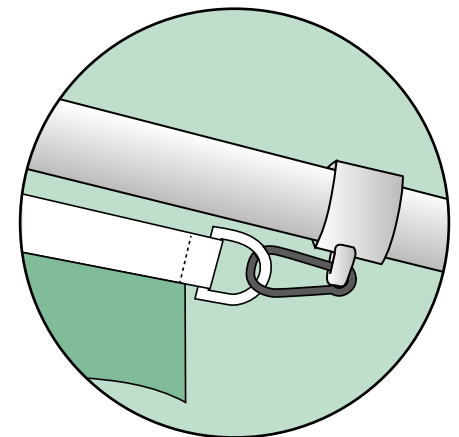
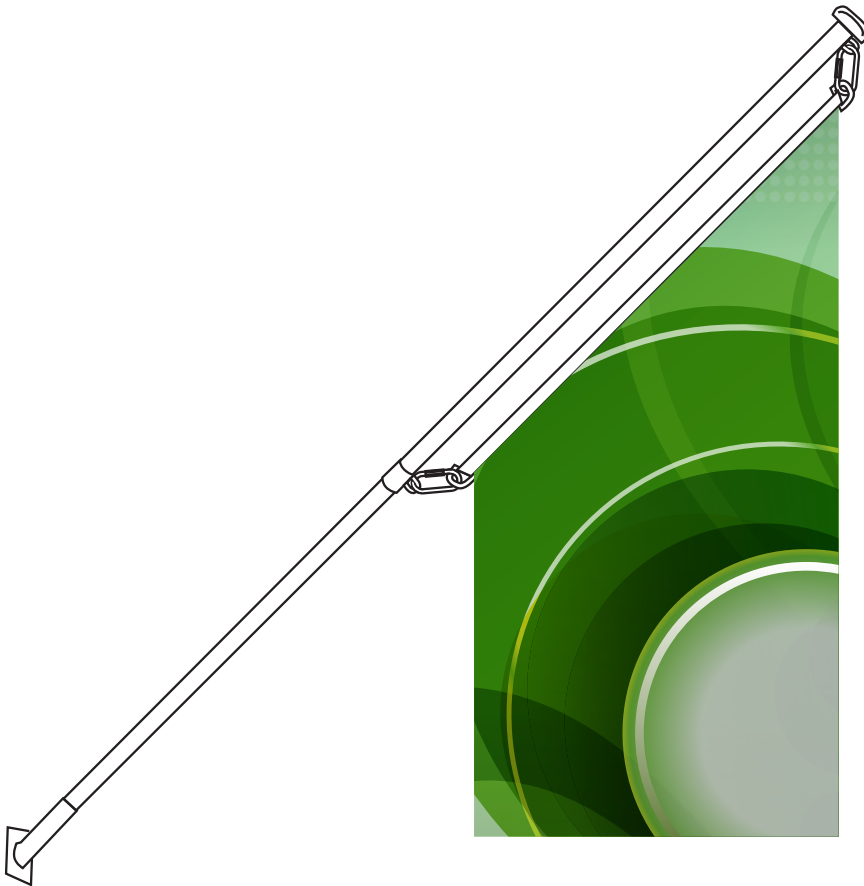


Fig 6



ASSEMBLY INSTRUCTIONS

September 2016 v2



1 Pole incl White top, clip & bungee
1 Angled wall bracket (no screws)*

CONTENTS

Pole Specifications

Length of pole	2m
Outside diameter	31mm
Angle of bracket	45 degree
Bracket plate size	85mm ²
Hole Centres	65mm ²
Hole Diameter	7mm
Weight	1.3kg
Packed Size	220cm x 15cm
Maximum Landscape Flag Size	180cm x 90cm
Maximum Angled Flag Size.	75cm x 200cm

**Recommended screw or bolt size 6mm. Please ensure that the fixings you use are suitable, and that the supporting substrate is adequate enough to sustain the dynamic load created by the Flag and Flagpole. The ultimate performance of the unit will always be the substrate into/onto which the unit is to be fixed. If you are unsure we suggest you seek professional advice.

WARNINGS

Do not fly flag when wind speed exceeds Force 7 (32mph)
It remains the responsibility of the user to establish the suitability of the product /s for the use/s to which they are put